

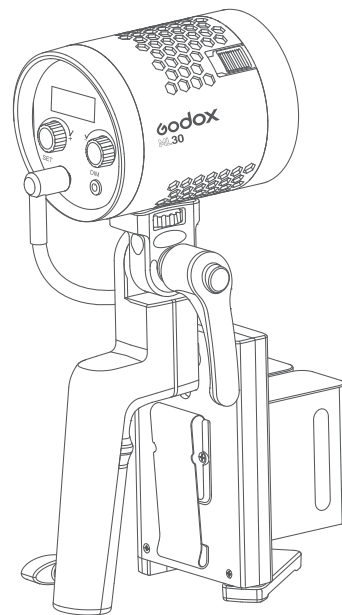
# Godox

## 便携LED摄影灯

PORTABLE LED VIDEO LIGHT

### ML30

合格证  
QC PASS



#### 深圳市神牛摄影器材有限公司

地址: 深圳市宝安区福海街道塘尾社区耀川工业区厂房2栋  
电话: 0755-29609320(8062) 传真: 0755-25723423 邮箱: godox@godox.com

#### GODOX Photo Equipment Co., Ltd.

Add: Building 2, Yaochuan Industrial Zone, Tangwei Community, Fuhai Street, Bao'an District, Shenzhen, 518103 China Tel: +86-755-29609320(8062)  
Fax: +86-755-25723423 E-mail: godox@godox.com

godox.com

Made in China



RoHS



说明手册  
Instruction Manual

## 照度数据

| 距离      | 测试参数 | 0.5m  | 1m   | 2m   |
|---------|------|-------|------|------|
| 裸灯      | lux  | 5880  | 1540 | 392  |
|         | fc   | 546   | 143  | 36.4 |
| ML系列标准罩 | lux  | 45700 | 8590 | 1740 |
|         | fc   | 4250  | 798  | 161  |

## 维护保养

- 为了防止灰尘的堆积影响到产品的性能, 请定时用干净的湿布轻轻擦拭产品外部。
- 1年保修, 消耗品电池, 充电器, 充电器电源线等配件不在此保修范围内。
- 对于不规范操作引起的机器故障不在保修范围内。
- 所有维修概由本厂指定的可供原配件的维修部负责。
- 经发现, 擅自检修本品, 将取消一年保修期, 维修需要收取相关费用。
- 如果本品出现故障或者被水淋湿, 在专业人员维修后方可继续使用。
- 如有技术更改, 恕不另行通知。

本设备包含型号核准代码为:CMIIT ID:2020DP13510, 为该产品的无线电发射模块。

## Foreword

Thank you for purchasing this Godox Product!

ML30 LED light,a compact and portable LED light source,with Bluetooth wireless and on-board control, high CRIand TLCI scores to deliver vibrant natural light and reproduce accurate colors, Godox mount to compatible with all Godox-mount modifiers for various lighting possibilities, is suitable for live streaming, short video,product shooting and other scenarios.

## Features:

- Compact and portable, with 2 ways of power supply to meet the needs of outdoor shooting
- Freely switch LED continuous light mode and 12 kinds of preset lighting effects modes
- 0% to 100% Precisely adjust light brightness
- Compact and lightweight, easy to be held in hand
- Quiet design allow it keeping at a negligible noise when working
- Bluetooth wireless remote control, easy and convenient to operate

## Warning

Always keep this product dry. Do not use in rain or in damp conditions.

Do not disassemble. Should repairs become necessary, this product must be sent to an authorized maintenance center.

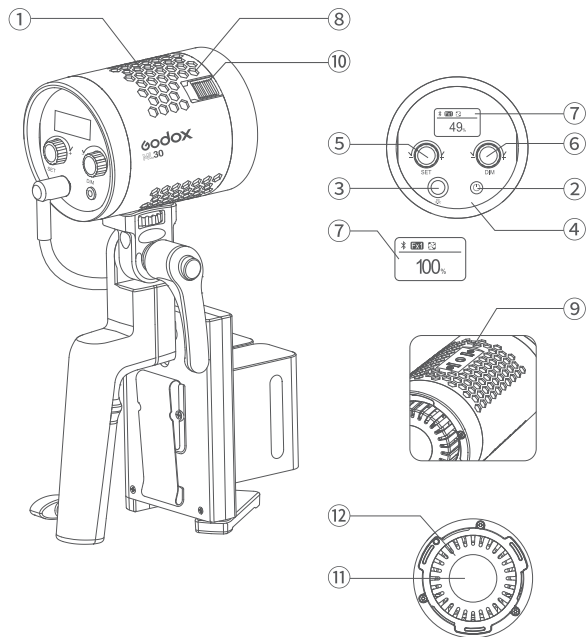
Keep out of reach of children.

As this product do not have waterproof function, please take measures of waterproof in rainy or damp environment.

Do not use the light unit in the presence of flammable gases, chemicals and other similar materials. In certain circumstance, these materials may be sensitive to the strong light emitting from this light unit and fire or electromagnetic interference may result.

Always remove the protection cover prior to turning on the light.Always re-install the cover when packing it away.

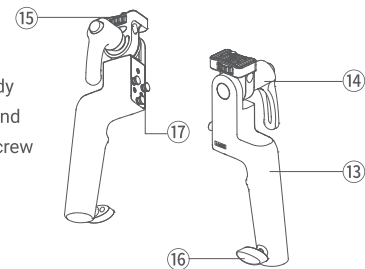
## Parts



- |                     |                           |
|---------------------|---------------------------|
| 01. Body            | 07. Display               |
| 02. Power Switch    | 08. Ventilation Hole      |
| 03. DC Power Socket | 09. Screw Hole for Handle |
| 04. Control Panel   | 10. Accessory Slide Lock  |
| 05. SET Select Dial | 11. LED Light Beads       |
| 06. DIM Select Dial | 12. Radiator              |

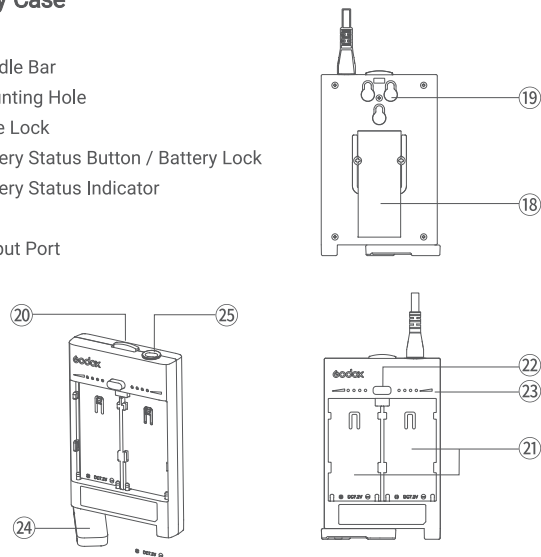
## Handle

- 13. Handle Bar
- 14. Direction Adjusting Knob
- 15. Fixing Screw for Light Body
- 16. Fixing Screw for Light Stand
- 17. Battery Case Mounting Screw

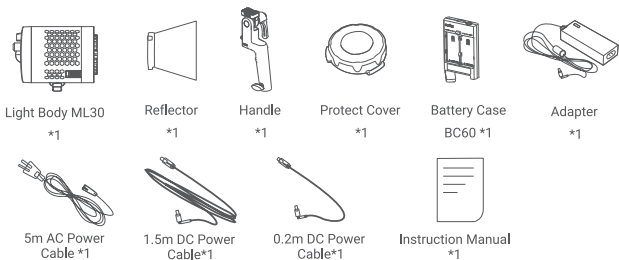


## Battery Case

- 18. Clip
- 19. Handle Bar
- 20. Mounting Hole
- 21. Slide Lock
- 22. Battery Status Button / Battery Lock
- 23. Battery Status Indicator
- 24. Leg
- 25. Output Port



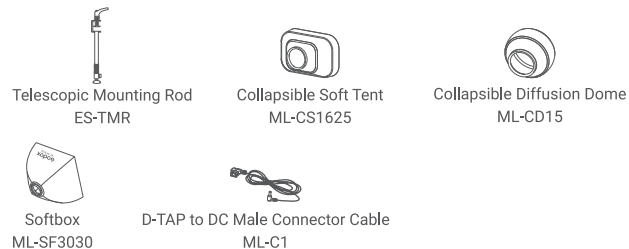
## What's in the Box



## Two Light Kit for ML30(Buy separately)



## Optional Accessory



## Power Management

### Power Supply

Adapter power supply: input: AC100-240V/1.3A, output: 14V/3.4A/50-60HZ.

External battery power supply: install two NP-F970 batteries into the battery compartment. Then, use the power cable to connect the battery case with the light body to achieve power supply.

**Battery Power Indicator** The green light indicates the remaining power, the four green lights indicate the remaining 100% power, the three green lights indicate the remaining 75% power, the two bright green lights indicate the remaining 50% power, and the one green light indicates the remaining 25% power. Less than 1 green light, the display will show low power prompt.

The battery case can only offer battery discharging instead of charging. When powered by battery box, two batteries shall be used simultaneously. Please do not use one battery individually.

## Operation

### 1. Power on

Press the power switch to control the ON/OFF of the light, and the OLED display will show the current information.



## 2. Mode selection: continuous lightingmode/ FX lighting effects Mode

Press SET select dial to enter the menu. Then, the SET select dial to FX and turn the DIM select dial to switch the two modes:

Continuous lighting mode: set FX mode to OFF to enter continuous lighting mode.



## FX Lighting Mode: 12 kinds of preset lighting effects in 4 scenes

| Number | Display | Scene       | Display I     | Display II       | Display III |
|--------|---------|-------------|---------------|------------------|-------------|
| FX1    |         | Flash       | Flash         | Press conference | Paparazzi   |
| FX2    |         | Lightning   | Discontinuous | Frequent         | Sustainable |
| FX3    |         | Broken bulb | Discontinuous | Frequent         | Sustainable |
| FX4    |         | TV          | Slow speed    | Medium speed     | Quick speed |

! Tips: Turn DIM select dial to select light efficiency type, and then short press DIM select dial to realize speed switching.

## 3. Brightness select dial:

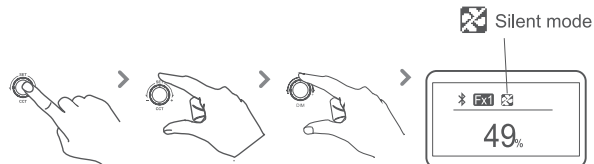
turn the DIM select dial to adjust brightness. Press the DIM select dial once to turn off the brightness. Press the DIM select dial again to recover the former brightness.



## 4. Silent mode:

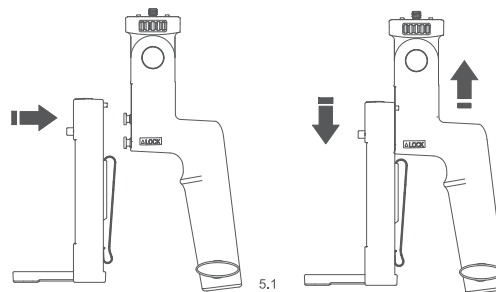
when is displayed, the silent mode is turned on.

Turn on the silent mode: press SET select dial to enter the menu. Then, turn the DIM select dial to turn on or off the silent mode. Set it to on to enter non-silent mode while set it to off to enter silent mode. In silent mode, the brightness adjustment range is from 0% to 50%.

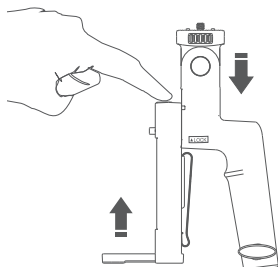


## 5. Install and detach battery case

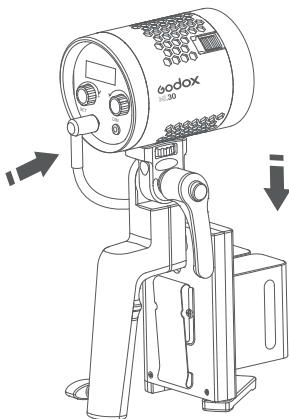
5.1 Install battery case: Aim the handle's mounting screws into the battery case's mounting holes, pull the battery case downwards until being tightened.



5.2 Detach battery case: push the battery case' locking ring and push the battery case upwards to take it out.



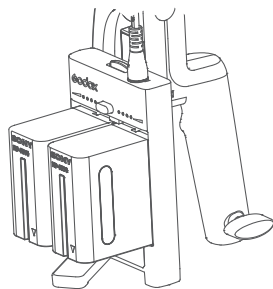
5.2



5.3

5.3 Connect the battery case with light head: insert the one end with clamping buckle of the power cable into the battery case while another end into the DC power socket of the light head.

5.4 Insert two NP-F970 batteries, and the LED light can be put into usage.



5.4

## 6. Low Battery Indication

When the battery power is low, the low battery indicator will pop out.



## 7. Locking Function

In power on state, long press the SET select dial for 2 seconds and the locking icon will appear on the display. Long press the button for 2 seconds again to unlock.



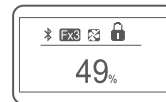
Note: The locking function only works in panel function, Bluetooth control are not affected.

## 8. Bluetooth Settings:

8.1 Short press the SET select dial enter the menu, turn the SET select dial to Bluetooth, and then turn the DIM select dial to select OFF/Bluetooth MAC code /Reset; When OFF is selected, Bluetooth is turned off. When Bluetooth MAC code (e.g.: 5974) is selected, Bluetooth is turned on, and the Bluetooth icon appears on the main interface. When Reset is selected, short press the DIM select dial to perform Bluetooth reset.

8.2 Scan the QR code to download the "Godox Light" mobile app.(It can be used on both Android and Apple systems) (QR code diagram) . For specific operations, please refer to the "Help" manual of the mobile APP, which contains detailed tutorials.

Note: The first mobile device (mobile phone or tablet) can directly use the APP to control the light body. When replacing other mobile device (mobile phone or tablet), the light body can only be connected with the APP normally after the Bluetooth reset.



## 9.High Temperature Alarm Function

9.1When the LED Light bead temperature is too high, the display screen will display the high

temperature alarm symbol .

9.2 When the LED Light temperature returns to normal, the lamp will automatically release the

alarm. At this time, the DIM dial can be rotated to change the brightness.

9.3 When the temperature sensor failure symbol appears on the display, it means that the

high temperature alarm function of the machine has failed.

## Technical Data

|                            |  |
|----------------------------|--|
| LED Light                  | ML30   |
| Adapter                    | Output: 14.0V 3.4A                             |
| Power                      | 37.6W  |
| Brightness Adjusting Range | 0%~100%  |
| CRI(≈)                     | ≈96  |
| TLCI(≈)                    | ≈97  |
| Lighting effects mode      | A total of 12 types in four categories         |
| Bluetooth Transmission     | Distance≈15m                                   |
| BT Frequency Range         | 2402.0-2480.0MHz                               |
| Max. Transmitting Power    | 5dbm   |
| Color Temperature          | 5600K  |
| Working Temperature        | -10~40 °C                                      |
| Weight                     | 587g   |
| Dimension                  | 120*88*88mm (not include handle and reflector) |

\* Product design and specifications are subject to change without notice.

## Illumination data

| Distance                | Test Parameters | 0.5m  | 1m   | 2m   |
|-------------------------|-----------------|-------|------|------|
| Bare Bulb               | lux             | 5880  | 1540 | 392  |
|                         | fc              | 546   | 143  | 36.4 |
| With Standard Reflector | lux             | 45700 | 8590 | 1740 |
|                         | fc              | 4250  | 798  | 161  |

## Maintenance

This product, except consumables e.g. charger and charger cable, is supported with a one-year warranty. Avoid sudden impacts and the product should be dedusted regularly. Maintenance of the light must be performed by our authorized maintenance department which can provide original accessories.Unauthorized service will void the warranty. If the product had failures or was wetted, do not use it until it is repaired by professionals. Changes made to the specifications or designs may not be reflected in this manual.

## FCC Statement

This device complies with part 15 of the FCC Rules. Operation is subject to the following two conditions: (1) This device may not cause harmful interference, and (2) this device must accept any interference received, including interference that may cause undesired operation.

Any Changes or modifications not expressly approved by the party responsible for compliance could void the user's authority to operate the equipment.

Note: This equipment has been tested and found to comply with the limits for a Class B digital device, pursuant to part 15 of the FCC Rules. These limits are designed to provide reasonable protection against harmful interference in a residential installation. This equipment generates uses and can radiate radio frequency energy and, if not installed and used in accordance with the instructions, may cause harmful interference to radio communications. However, there is no guarantee that interference will not occur in a particular installation. If this equipment does cause harmful interference to radio or television reception, which can be determined by turning the equipment off and on, the user is encouraged to try to correct the interference by one or more of the following measures:

- Reorient or relocate the receiving antenna.
  - Increase the separation between the equipment and receiver.
  - Connect the equipment into an outlet on a circuit different from that to which the receiver is connected.
  - Consult the dealer or an experienced radio/TV technician for help.
- The device has been evaluated to meet general RF exposure requirement. The device can be used in portable exposure condition without restriction.

Warning

Operating frequency:2402MHz – 2480MHz Maximum EIRP Power: 3.45dBm

Declaration of Conformity

GODOX Photo Equipment Co.,Ltd. hereby declares that this equipment are in compliance with the essential requirements and other relevant provisions of Directive 2014/53/EU. In accordance with Article 10(2) and Article 10(10), this product is allowed to be used in all EU member states.For more information of DoC, Please click this web link:

[https://www.godox.com/DOC/Godox\\_ML\\_Series\\_DOC.pdf](https://www.godox.com/DOC/Godox_ML_Series_DOC.pdf)

The device complies with RF specifications when the device used at 0mm from your body.

## Warranty

Dear customers, as this warranty card is an important certificate to apply for our maintenance service, please fill in the following form in coordination with the seller and safe-keep it. Thank you!

|                      |                |                     |
|----------------------|----------------|---------------------|
| Product Information  | Model          | Product Code Number |
| Customer Information | Name           | Contact Number      |
|                      | Address        |                     |
| Seller Information   | Name           |                     |
|                      | Contact Number |                     |
|                      | Address        |                     |
|                      | Date of Sale   |                     |
| Note:                |                |                     |

Note: This form shall be sealed by the seller.

### Applicable Products

The document applies to the products listed on the Product Maintenance Information (see below for further information). Other products or accessories (e.g. promotional items, giveaways and additional accessories attached, etc.) are not included in this warranty scope.

### Warranty Period

The warranty period of products and accessories is implemented according to the relevant Product Maintenance Information. The warranty period is calculated from the day(purchase date) when the product is bought for the first time, And the purchase date is considered as the date registered on the warranty card when buying the product.

### How to Get the Maintenance Service

If maintenance service is needed, you can directly contact the product distributor or authorized service institutions. You can also contact the Godox after-sale service call and we will offer you service. When applying for maintenance service, you should provide valid warranty card. If you cannot provide valid warranty card, we may offer you maintenance service once confirmed that the product or accessory is involved in the maintenance scope, but that shall not be considered as our obligation.

### Inapplicable Cases

The guarantee and service offered by this document are not applicable in the following cases: ①. The product or accessory has expired its warranty period; ②. Breakage or damage caused by inappropriate usage, maintenance or preservation, such as improper packing, improper usage, improper plugging in/out external equipment, falling off or squeezing by external force, contacting or exposing to the improper temperature, solvent, acid, base, flooding and damp environments, etc; ③. Breakage or damage caused by non-authorized institution or staff in the process of installation, maintenance, alternation, addition and detachment; ④. The original identifying information of product or accessory is modified, alternated, or removed; ⑤. No valid warranty card; ⑥. Breakage or damage caused by using illegally authorized, nonstandard or non-public released software; ⑦. Breakage or damage caused by force majeure or accident; ⑧. Breakage or damage that could not be attributed to the product itself. Once met these situations above, you should seek solutions from the related responsible parties and Godox assumes no responsibility. The damage caused by parts, accessories and software that beyond the warranty period or scope is not included in our maintenance scope. The normal discoloration, abrasion and consumption are not the breakage within the maintenance scope.